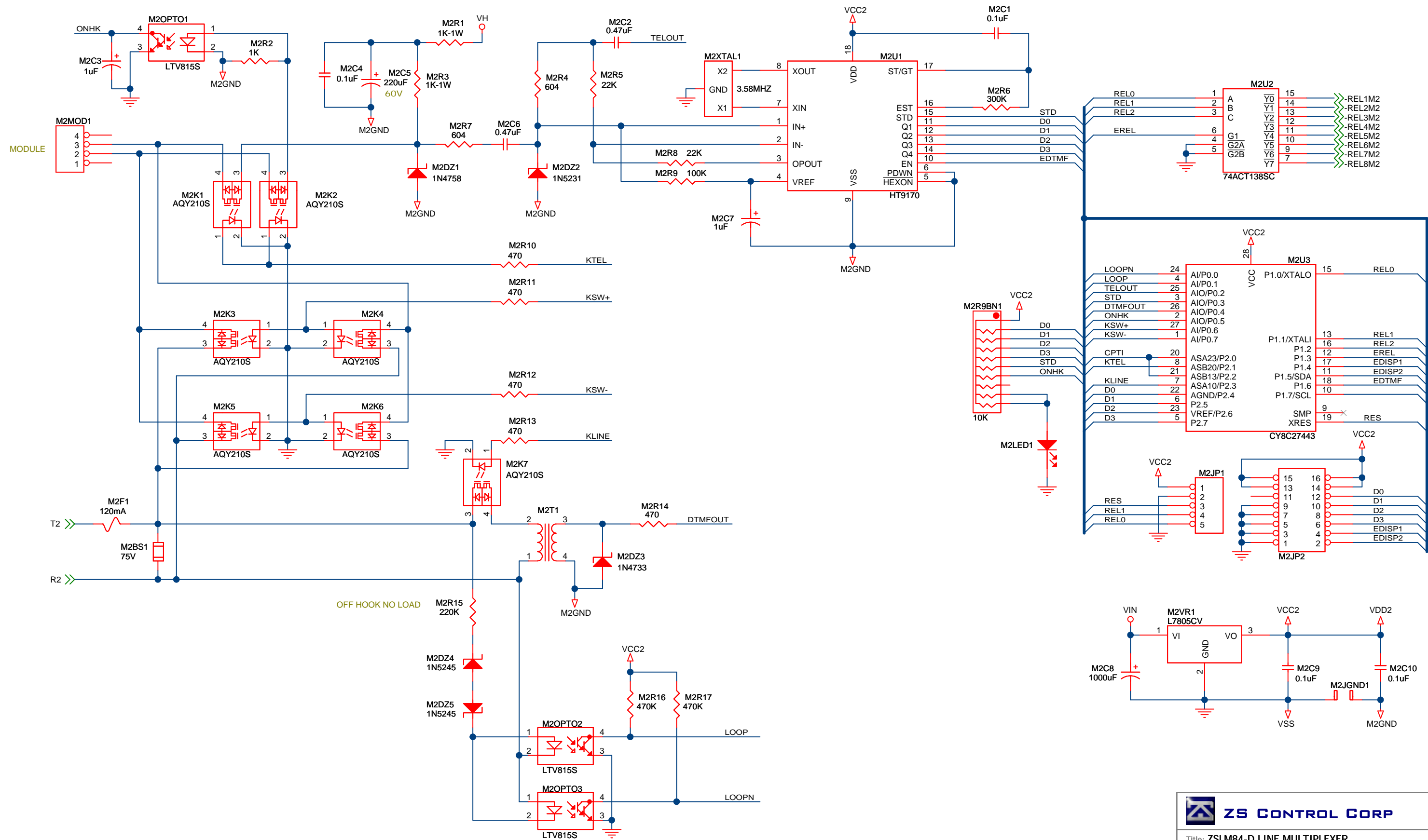
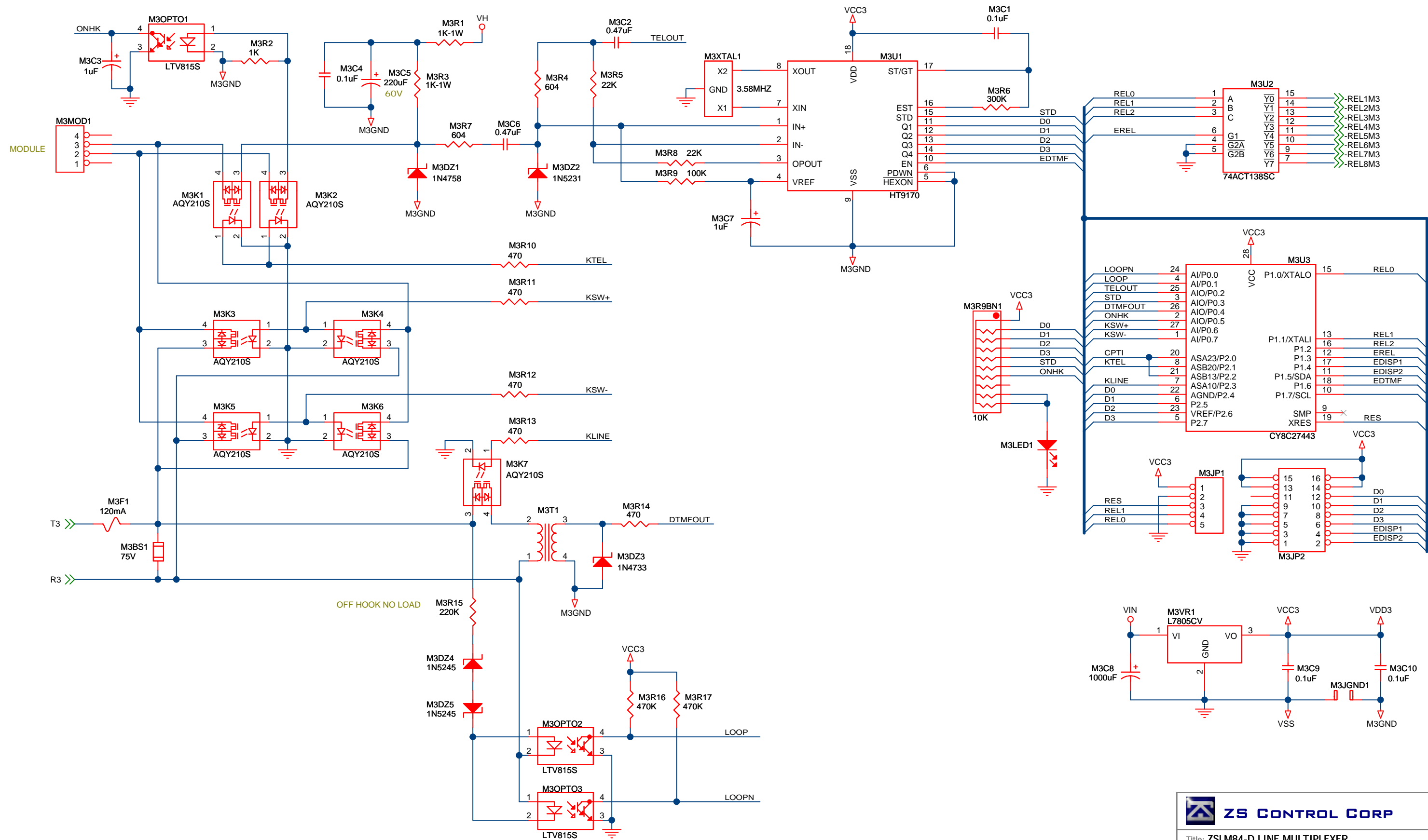
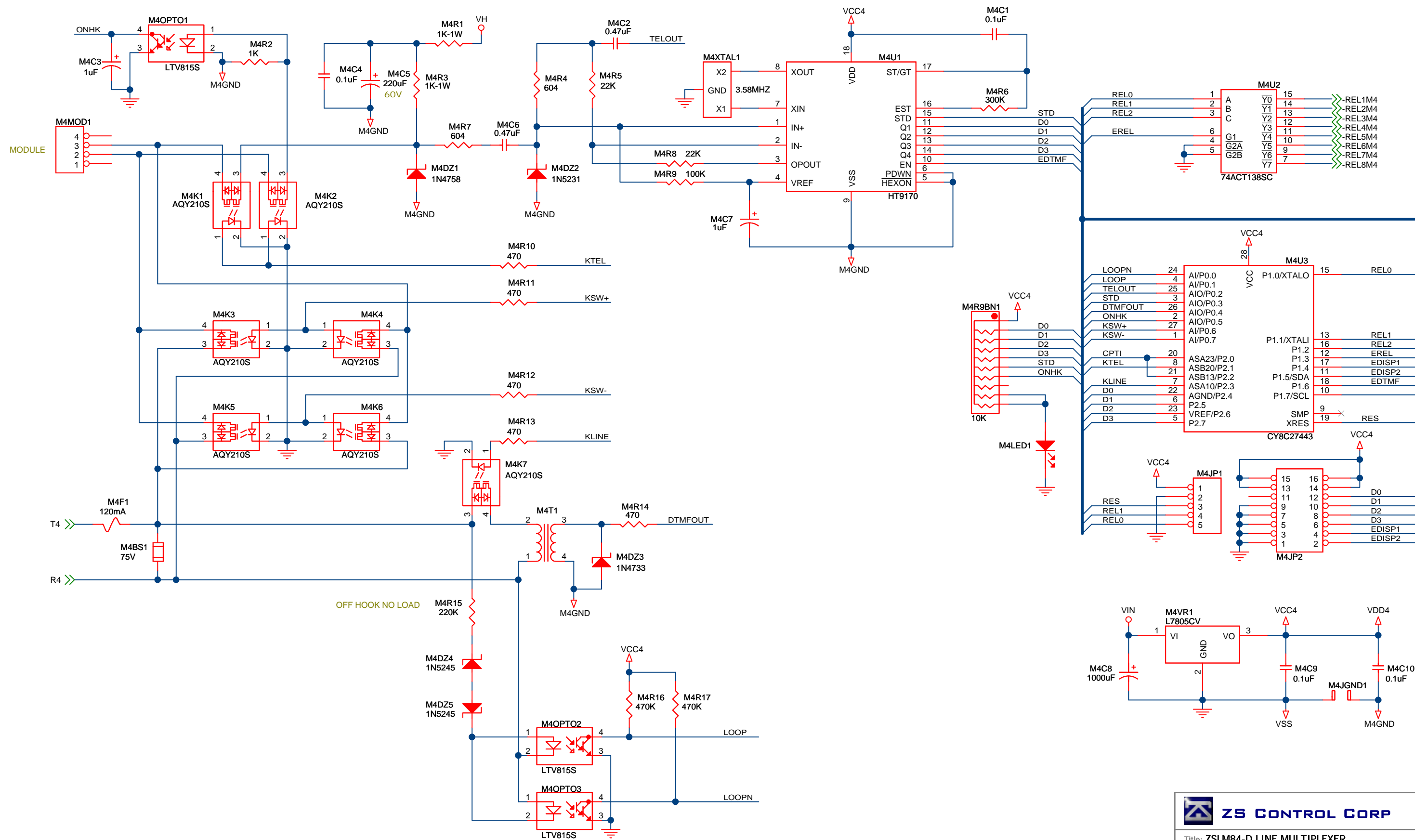


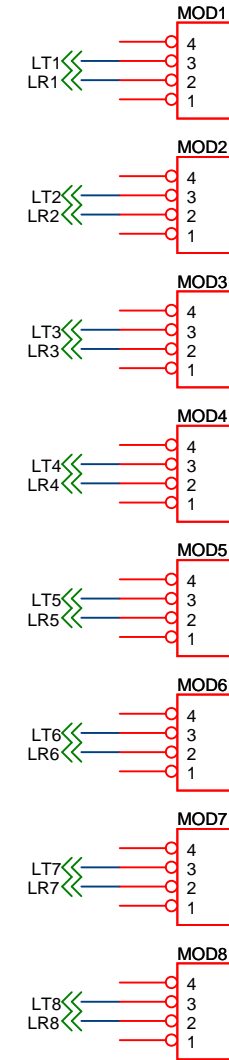
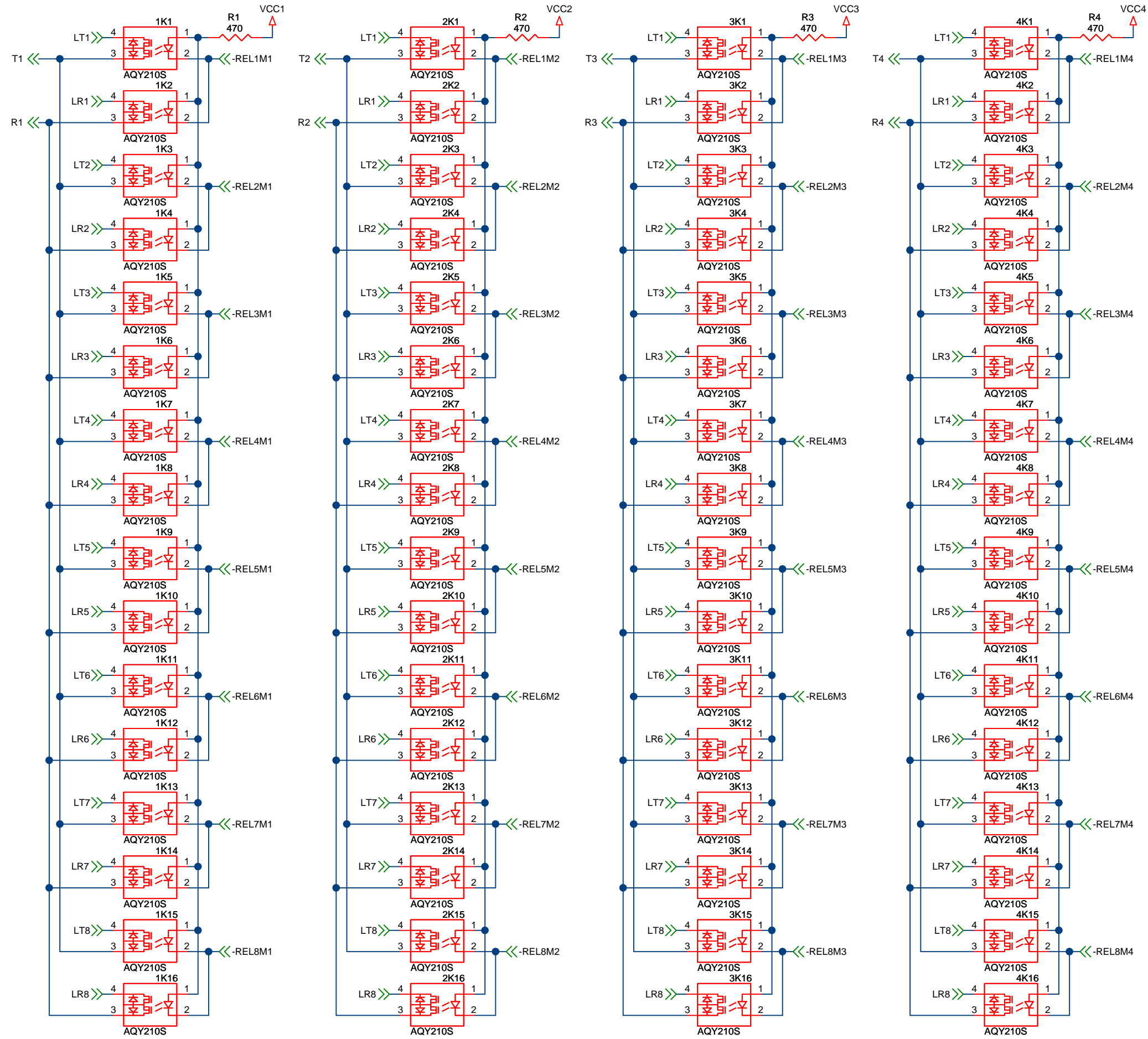
<b>ZS CONTROL CORP</b>		
Title: ZSLM84-D LINE MULTIPLEXER		
Module: MODULE 1 MAIN - LINES COUPLING	Revision: A.0	Size: C
Date: Tuesday, January 04, 2011	Sheet 1 of 6	Scale: 1:1
Design: Felipe Alameda Alvarado		Copyright ©2004 Felipe Alameda Alvarado

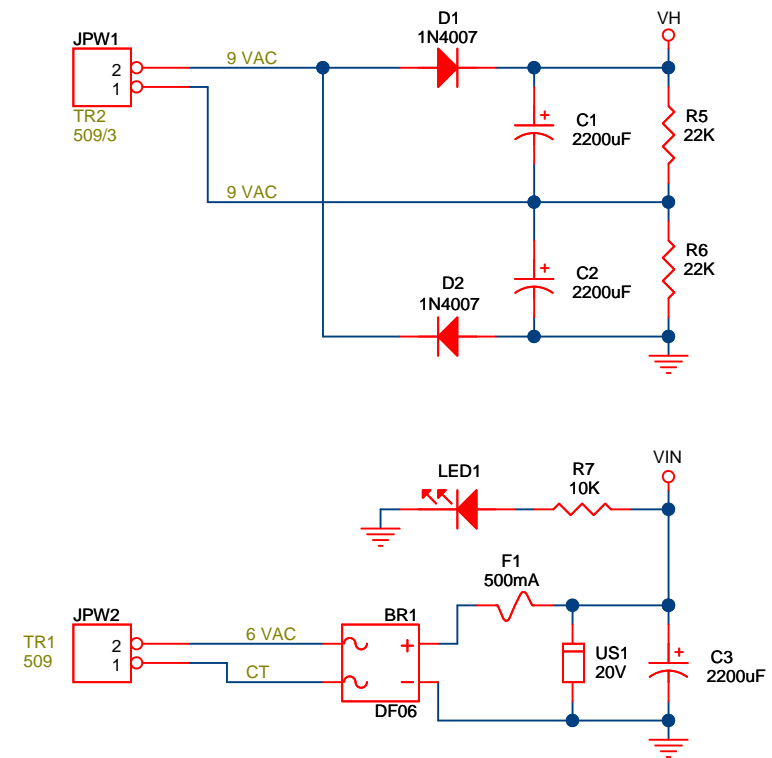


<b>ZS CONTROL CORP</b>		
Title: ZSLM84-D LINE MULTIPLEXER		
Module: MODULE 2 MAIN - LINES COUPLING	Revision: A.0	Size: C
Date: Tuesday, January 04, 2011	Sheet 2 of 6	Scale: 1:1
Design: Felipe Alameda Alvarado		Copyright ©2004 Felipe Alameda Alvarado









Title: ZSLM84-D LINE MULTIPLEXER		
Module: POWER SUPPLY	Revision: A.0	Size: C
Date: Tuesday, January 04, 2011	Sheet 6 of 6	Scale: 1:1
Design: Felipe Alameda Alvarado		Copyright ©2004 Felipe Alameda Alvarado