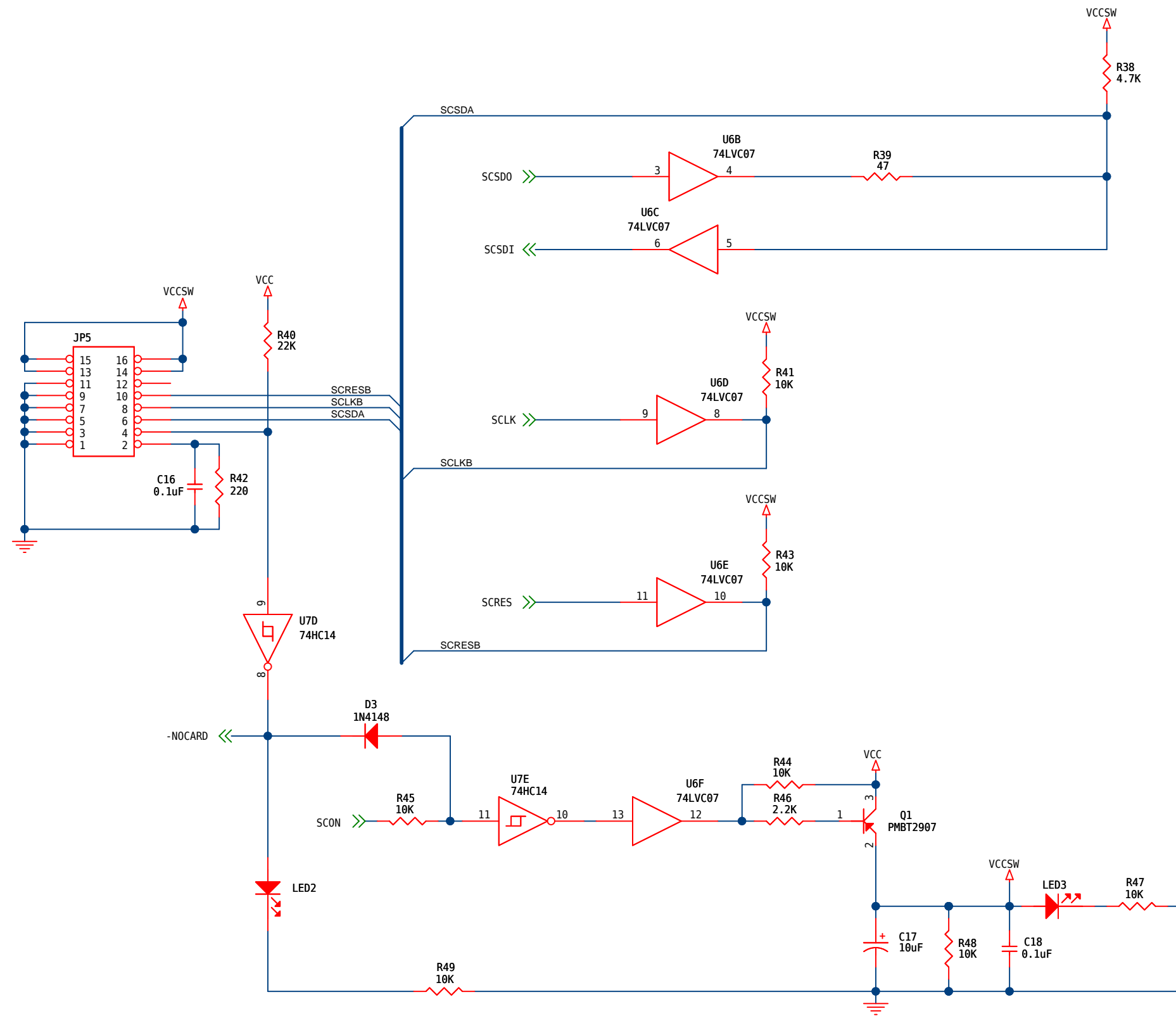
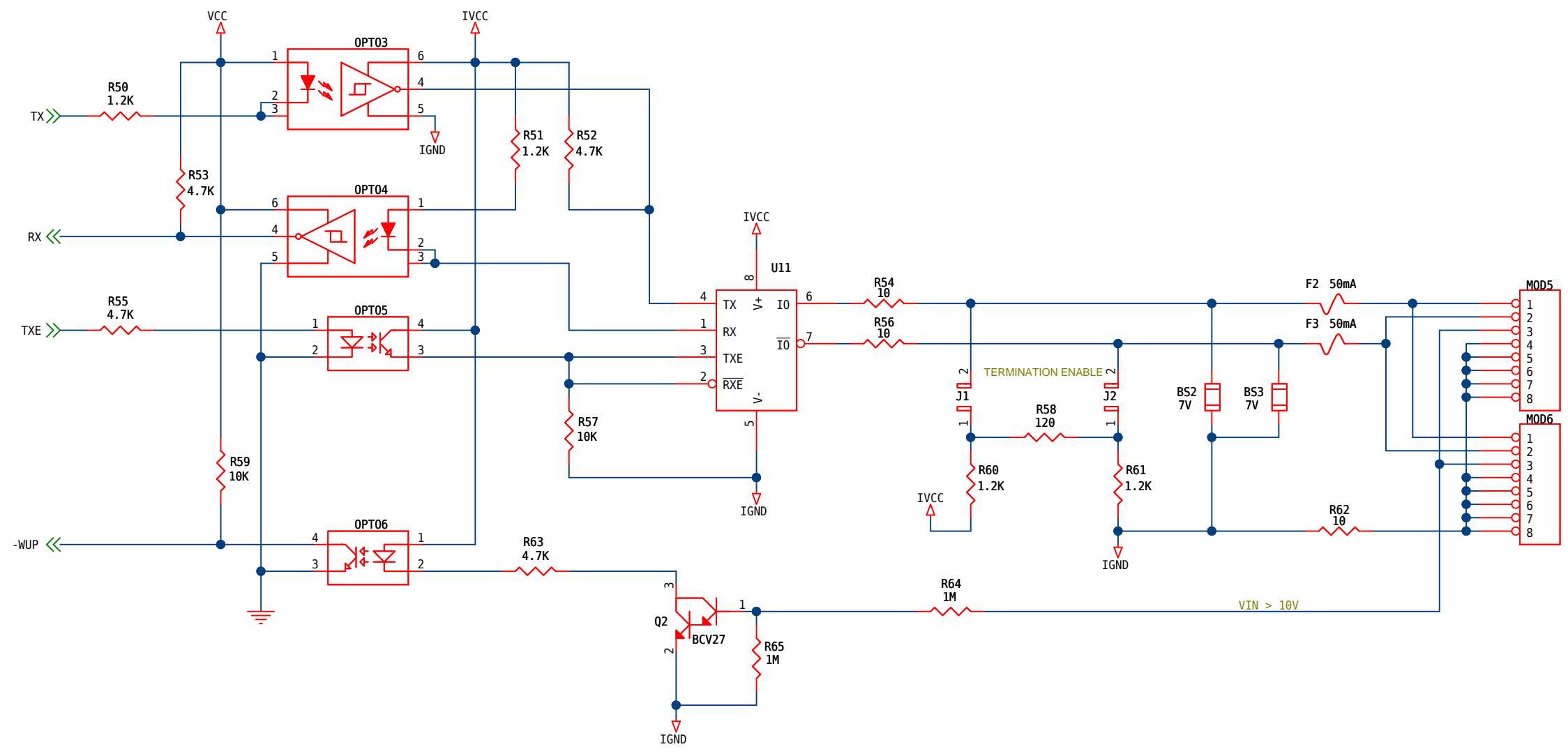


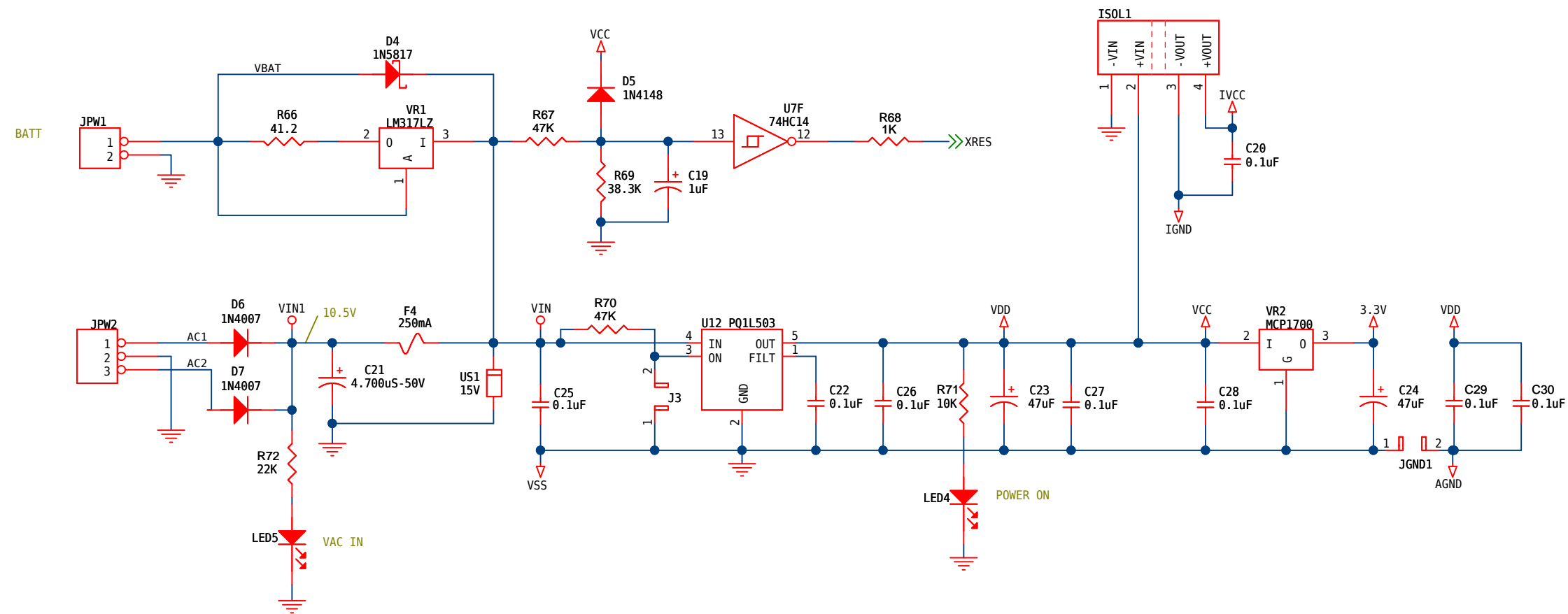
| | | |
|--|---------------|---|
|  ZS CONTROL CORP | | |
| Title: ZSS - MX2 CALL CONTROL SYSTEM | | |
| Module: LINES COUPLING | Revision: A.1 | Size: C |
| Date: Tuesday, January 04, 2011 | Sheet 2 of 5 | Scale: 1:1 |
| Design: Felipe Alameda Alvarado | | Copyright ©2004 Felipe Alameda Alvarado |



| | | |
|--------------------------------------|---------------|---|
| Title: ZSS - MX2 CALL CONTROL SYSTEM | | |
| Module: SMART CARD INTERFACE | Revision: A.1 | Size: C |
| Date: Tuesday, January 04, 2011 | Sheet 3 of 5 | Scale: 1:1 |
| Design: Felipe Alameda Alvarado | | Copyright ©2004 Felipe Alameda Alvarado |



| | | |
|--|---------------|---|
|  ZS CONTROL CORP | | |
| Title: ZSS - MX2 CALL CONTROL SYSTEM | | |
| Module: RS485 INTERFACE | Revision: A.1 | Size: C |
| Date: Tuesday, January 04, 2011 | Sheet 4 of 5 | Scale: 1:1 |
| Design: Felipe Alameda Alvarado | | Copyright ©2004 Felipe Alameda Alvarado |



| | | |
|--|---------------|---|
|  ZS CONTROL CORP | | |
| Title: ZSS - MX2 CALL CONTROL SYSTEM | | |
| Module: POWER SUPPLY | Revision: A.1 | Size: C |
| Date: Tuesday, January 04, 2011 | Sheet 5 of 5 | Scale: 1:1 |
| Design: Felipe Alameda Alvarado | | Copyright ©2004 Felipe Alameda Alvarado |