
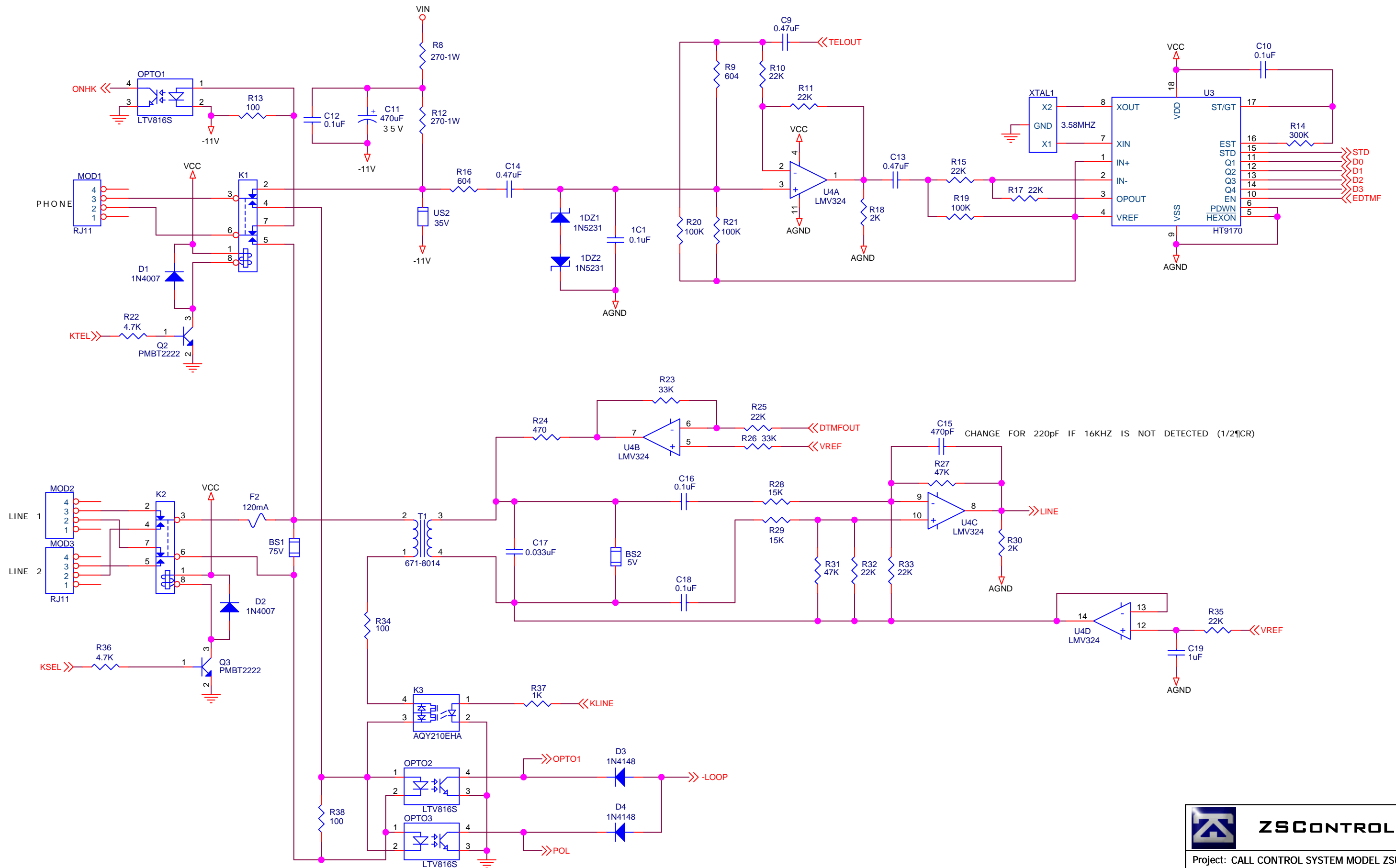



ALL RESISTORS ARE 1% EXCEPT OTHERWISE NOTED

 ZSCONTROL SAS			
Project: CALL CONTROL SYSTEM MODEL ZSU			
Module: MAIN			
Sheet 1 of 3	Size: Custom	Revision: A.1	Scale: 1:1
Date: Monday, March 02, 2020			
Copyright © 2000-2020 Felipe Alameda Alvarado			



 ZSCONTROL SAS			
Project: CALL CONTROL SYSTEM MODEL ZSU			
Module: Phone Lines Coupling			
Sheet 2 of 3	Size: Custom	Revision: A.1	Scale: 1:1
Date: Monday, March 02, 2020			
Copyright © 2000-2020 Felipe Alameda Alvarado			

